

**EMINKO**

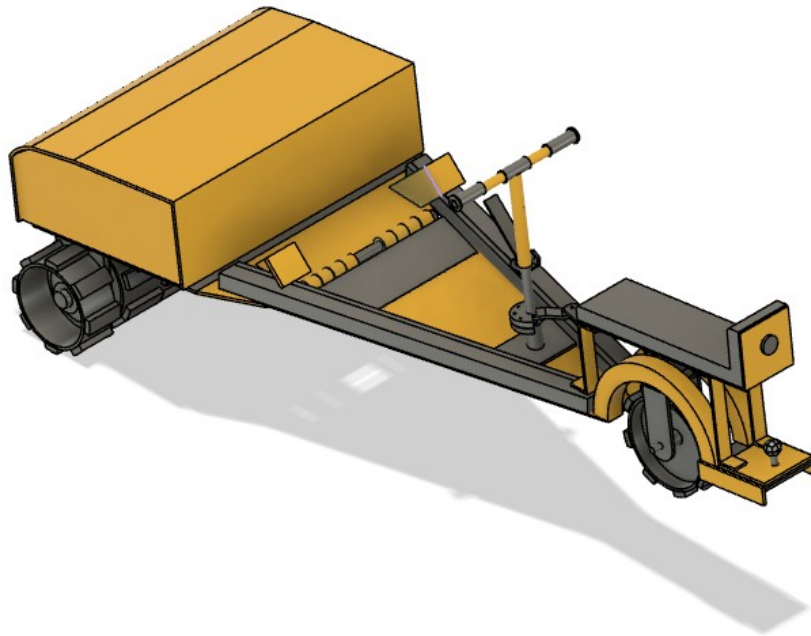
2020-09-29

[www.eminko.com](http://www.eminko.com)

**EMINKO EV M10 SERIE**

**AMAZING ELECTRIC OFFROAD VEHICLES**

## 1.EMINKO EV M10



-width 1090 mm x height 670 mm x length 2650 mm

-10 kW electric motor

-10 kWh battery

-72 V

-1+1 person

-towbar, 1000 kg trailer, 5000 N for towbar

-work machine

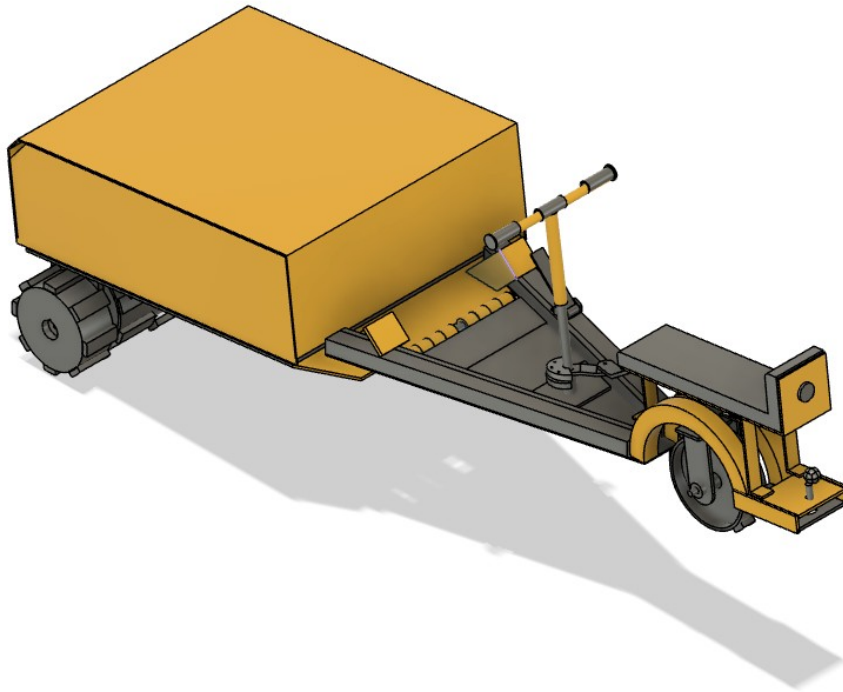
-max. speed 10 km/h

-full battery gives estimated 4 hours working time

-gross weight 350 kg

-price 16900 € / pc VAT 0%

## 2. EMINKO EV M10 H



-width 1090 mm x height 718 mm x length 2982 mm

-10 kW electric motor

-22 kWh battery

-72 V

-1+1 person

-towbar, 1000 kg trailer, 5000 N for towbar

-work machine

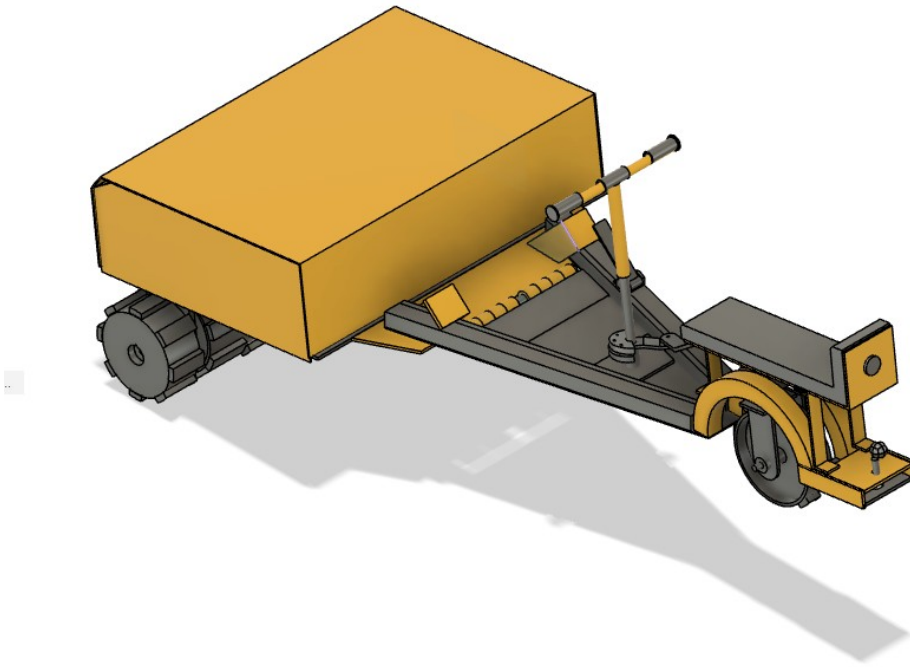
-max. speed 10 km/h

-full battery gives estimated 8 hours working time

-gross weight 450 kg

-price 19100 € / pc VAT 0%

### 3. EMINKO EV M10 L



-width 1355 mm x height 698 mm x length 2733 mm

-12 kW electric motor

-11 kWh battery

-72 V

-1+1 person

-towbar, 1000 kg trailer, 5000 N for towbar

-work machine

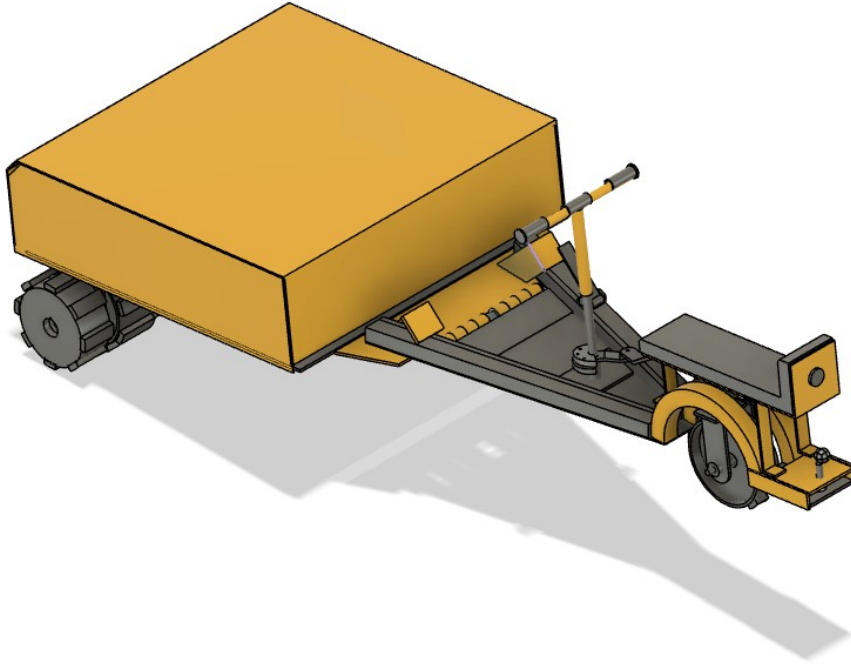
-max. speed 10 km/h

-full battery gives estimated 4 hours working time

-gross weight 420 kg

-price 18100 € / pc VAT 0%

#### 4. EMINKO EV M10 LH



-width 1355 mm x height 698 mm x length 3124 mm

-12 kW electric motor

-22 kWh battery

-72 V

-1+1 person

-towbar, 1000 kg trailer, 5000 N for towbar

-work machine

-max. speed 10 km/h

-full battery gives estimated 8 hours working time

-gross weight 550 kg

-price 20300 € / pc VAT 0%

We reserve the right to make changes.