

EMINKO

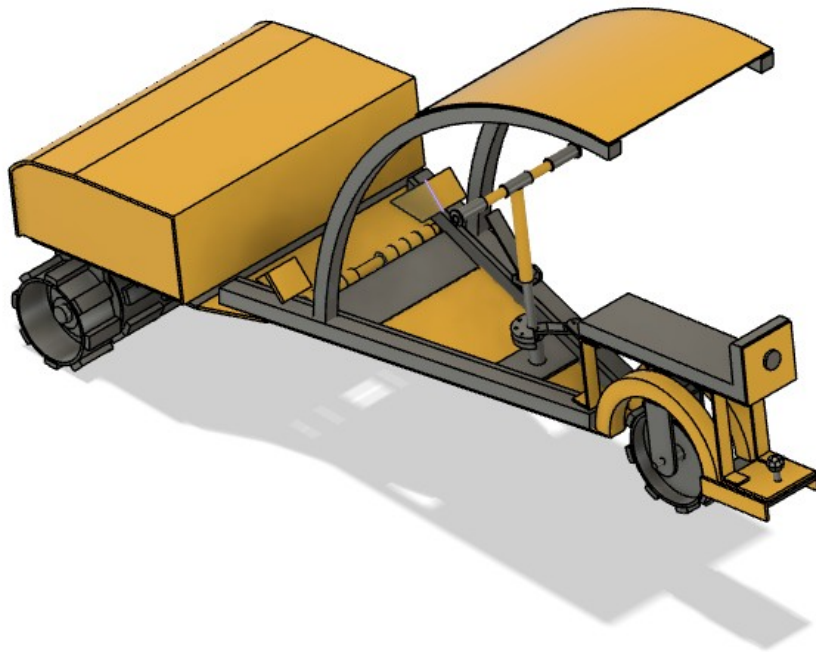
2020-09-30

www.eminko.com

EMINKO EV M10R SERIE

AMAZING ELECTRIC OFFROAD VEHICLES

1.EMINKO EV M10R



-width 1090 mm x height 1470 mm x length 2650 mm

-10 kW electric motor

-10 kWh battery

-72 V

-1+1 person

-towbar, 1000 kg trailer, 5000 N for towbar

-work machine

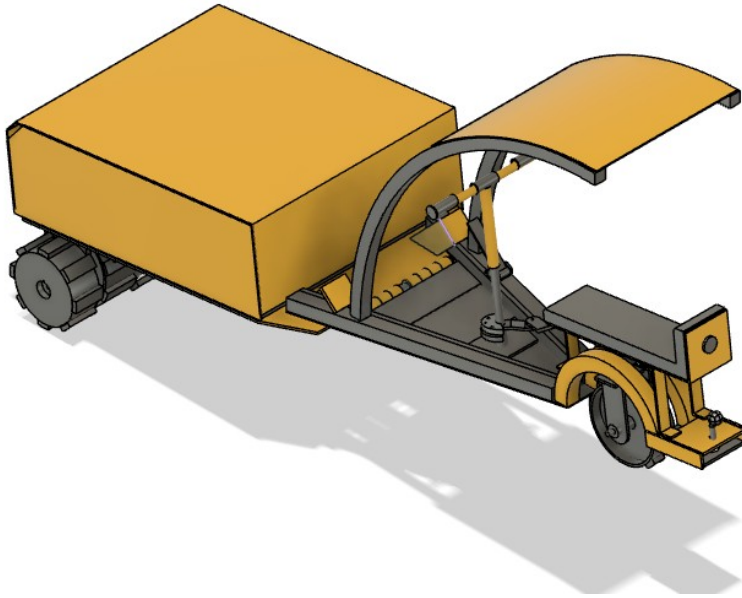
-max. speed 10 km/h

-full battery gives estimated 4 hours working time

-gross weight 350 kg

-price 17130 € / pc VAT 0%

2. EMINKO EV M10R H



-width 1090 mm x height 1455 mm x length 2982 mm

-10 kW electric motor

-22 kWh battery

-72 V

-1+1 person

-towbar, 1000 kg trailer, 5000 N for towbar

-work machine

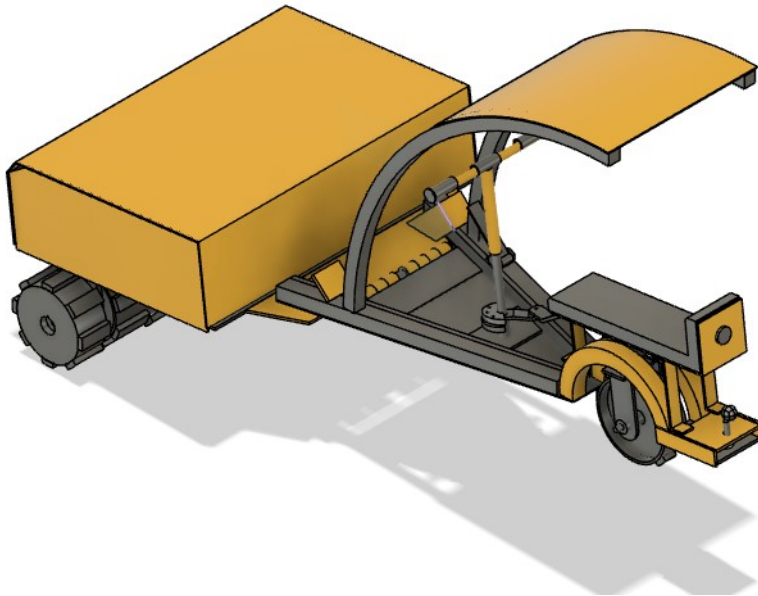
-max. speed 10 km/h

-full battery gives estimated 8 hours working time

-gross weight 450 kg

-price 19330 € / pc VAT 0%

3. EMINKO EV M10R L



-width 1355 mm x height 1488 mm x length 2733 mm

-12 kW electric motor

-11 kWh battery

-72 V

-1+1 person

-towbar, 1000 kg trailer, 5000 N for towbar

-work machine

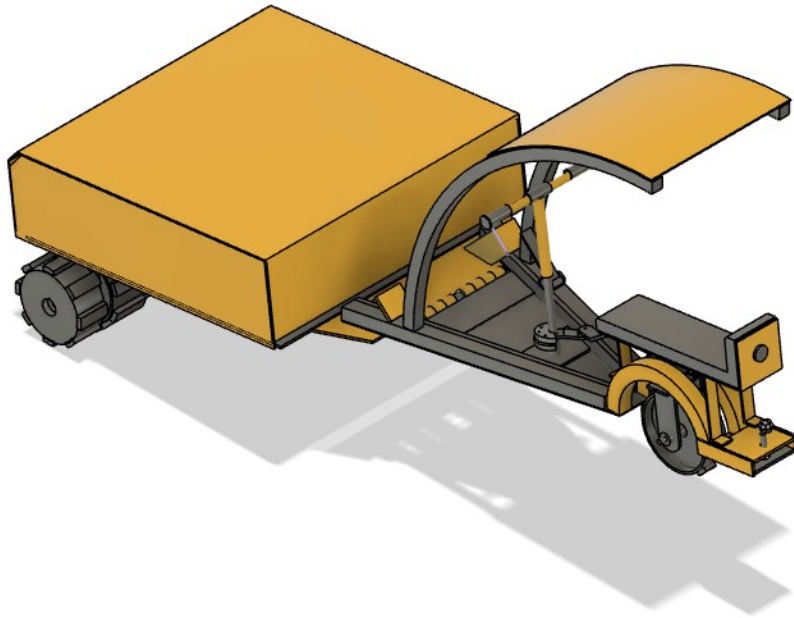
-max. speed 10 km/h

-full battery gives estimated 4 hours working time

-gross weight 420 kg

-price 18330 € / pc VAT 0%

4. EMINKO EV M10R LH



-width 1355 mm x height 1456 mm x length 3124 mm

-12 kW electric motor

-22 kWh battery

-72 V

-1+1 person

-towbar, 1000 kg trailer, 5000 N for towbar

-work machine

-max. speed 10 km/h

-full battery gives estimated 8 hours working time

-gross weight 550 kg

-price 20530 € / pc VAT 0%

We reserve the right to make changes.