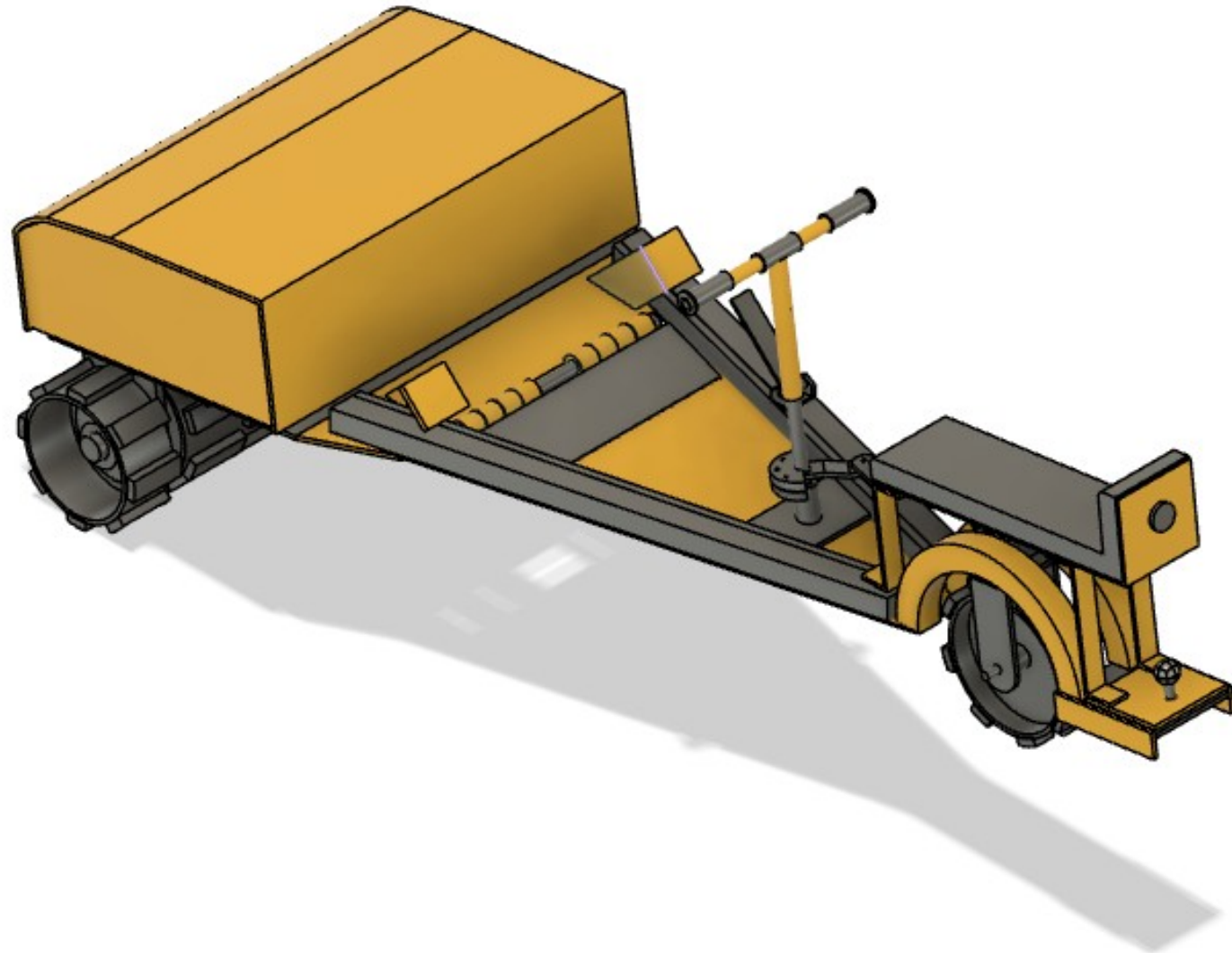


# EMINKO EV M10

- Motor 10 kW
- Battery 10 kWh
- 220 V charging
- [www.eminko.com](http://www.eminko.com)
- Kauko Määttä
- 8.9.2020



# General

- Eminko Oy is owned 100 % by Mr. Kauko Määttä. I Kauko Määttä M.Sc. Tech, 30 years work experience in technology development and business management at the global level. I have been working in the global commercialization of new technology and startup business advisor. I am also EASME coach and BlueInvest coach.
- In addition to me, the team consists of subcontractors and their staff.
- We make high-terrain, easy-to-manufacture, sustainable electric offroad vehicles/implements for the global market. The vehicle's batteries are charged with mains power or with aggregates. Vehicles are also easy to automate and robotize. The vehicle is an advanced desired product.
- The Eminko EV model 10 is ready to start production, it is 1.1 m wide, 0.6 m high and 2.6 m long with a towbar.

**EMINKO**

# Team

- Kauko Määttä leads the team.
- On the subcontractors' side, the team includes:
  - Matti Heiska, M.Sc. in 17 years of experience in electric vehicle technology at Hybria Oy,
  - Kaj Wärn CEO at Wärns Metal Ab in engineering experience in the automotive industry in 20 years.
- In addition, the team includes other subcontracting companies.

# Marketing and sales

- Marketing and sales will be conducted direct and through domestic and foreign distributors.

EMINKO

# Manufacturing

- Components are supplied by subcontractors.
- Assembly takes place by Eminko Oy in Imatra.

EMINKO

# Target and market

- The market is € 20 billion / year, will grow by 1% per year.
- Target € 2 billion turnover (10% of the market) over 15 years.

# Values and properties

- The EMINKO EV M10 is a vehicle/implement that is versatile in use, low in operating costs, and has a small need for storage and transportation space.
- Good, competitively priced off-road vehicle.
- Good terrain feature, easy to build and automate. New chassis structure with fewer parts than usual.
- Better platform structure than competitors.
- Good platform structure for electrification.
- Does not break the surface of the forest floor like conventional vehicles.
- We are applying for patent protection for the solution.
- Environmental friendliness, recyclability and good economic value.

# Business

- Operators, contractors and individuals want to buy.
- We have a good electric offroad vehicle and a strong competitive advantage because our solution is easy to build an electric drive and has a good offroad feature.
- Easy to scale.



# Summary

- With good results, an advanced, environmentally friendly business with sustainable development and a desirable offroad vehicle for customers.
- Sustainable use of technology for human beings.
- We are strongly committed to this project.

EMINKO