

EMINKO

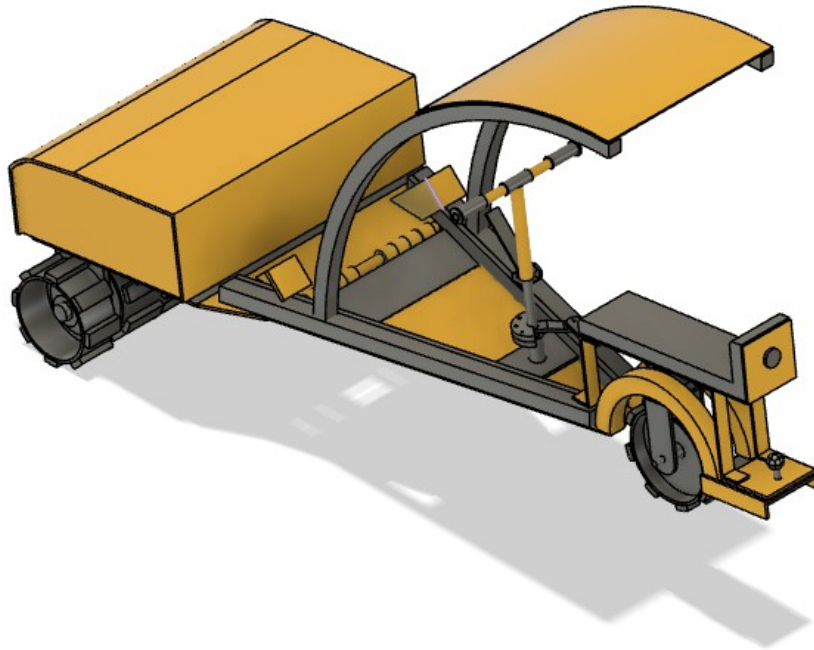
2021-01-22

www.eminko.com

EMINKO EV M10R SERIE

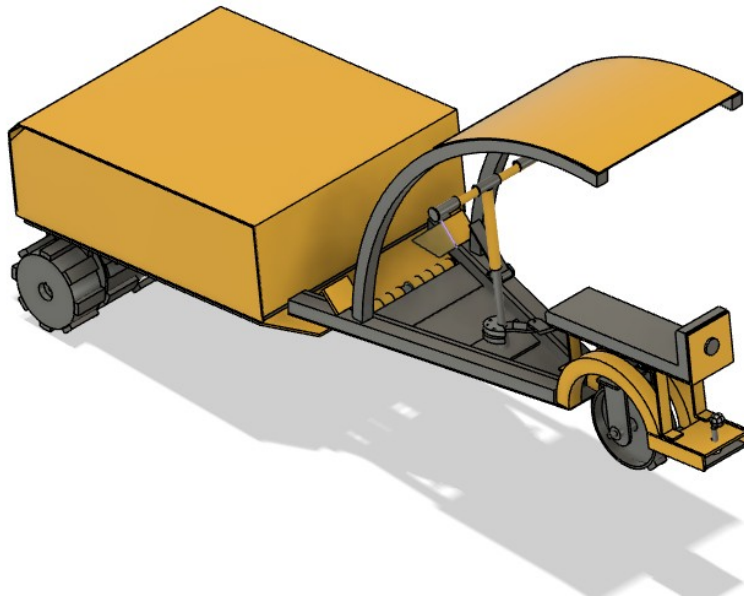
AMAZING ELECTRIC OFFROAD VEHICLES

1.EMINKO EV M10R



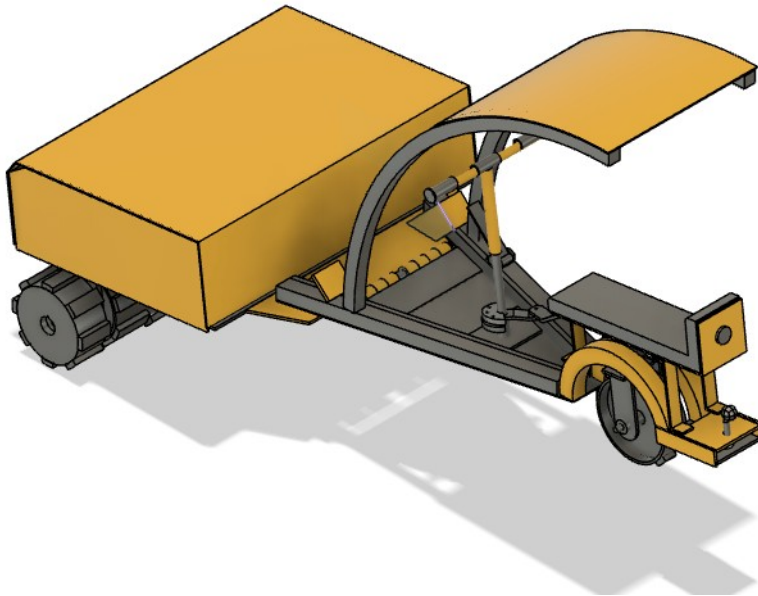
- width 1090 mm x height 1470 mm x length 2650 mm
- 10 kW electric motor
- 10 kWh battery
- 72 V
- 1+1 person
- towbar, 1000 kg trailer, 5000 N for towbar
- work machine
- max. speed 10 km/h
- full battery gives estimated 4 hours working time
- gross weight 350 kg
- price 18130 € ExW excl. Vat (Charging 0C)
- price 18530 € ExW excl. Vat (Charging -20C) with the heating function
- price 21130 € ExW excl. Vat (Charging -20C)

2. EMINKO EV M10R H



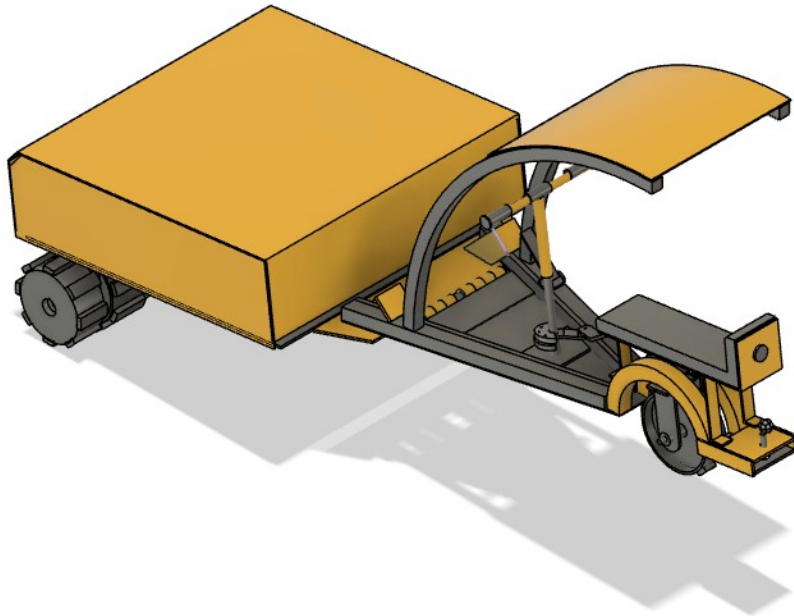
- width 1090 mm x height 1455 mm x length 2982 mm
- 10 kW electric motor
- 22 kWh battery
- 72 V
- 1+1 person
- towbar, 1000 kg trailer, 5000 N for towbar
- work machine
- max. speed 10 km/h
- full battery gives estimated 8 hours working time
- gross weight 450 kg
- price 20330 € ExW excl. Vat (Charging 0C)
- price 21150 € ExW excl. Vat (Charging -20C) with the heating function
- price 26330 € ExW excl. Vat (Charging -20C)

3. EMINKO EV M10R L



- width 1355 mm x height 1488 mm x length 2733 mm
- 12 kW electric motor
- 11 kWh battery
- 72 V
- 1+1 person
- towbar, 1000 kg trailer, 5000 N for towbar
- work machine
- max. speed 10 km/h
- full battery gives estimated 4 hours working time
- gross weight 420 kg
- price 19330 € ExW excl. Vat (Charging 0C)
- price 19730 € ExW excl. Vat (Charging -20C) with the heating function
- price 22330 € ExW excl. Vat (Charging -20C)

4. EMINKO EV M10R LH



- width 1355 mm x height 1456 mm x length 3124 mm
- 12 kW electric motor
- 22 kWh battery
- 72 V
- 1+1 person
- towbar, 1000 kg trailer, 5000 N for towbar
- work machine
- max. speed 10 km/h
- full battery gives estimated 8 hours working time
- gross weight 550 kg
- price 21530 € ExW excl. Vat (Charging 0C)
- price 22330 € ExW excl. Vat (Charging -20C) with the heating function
- price 27530 € ExW excl. Vat (Charging -20C)

We reserve the right to make changes.

Copyright Eminko Oy © 2020. All Rights Reserved.