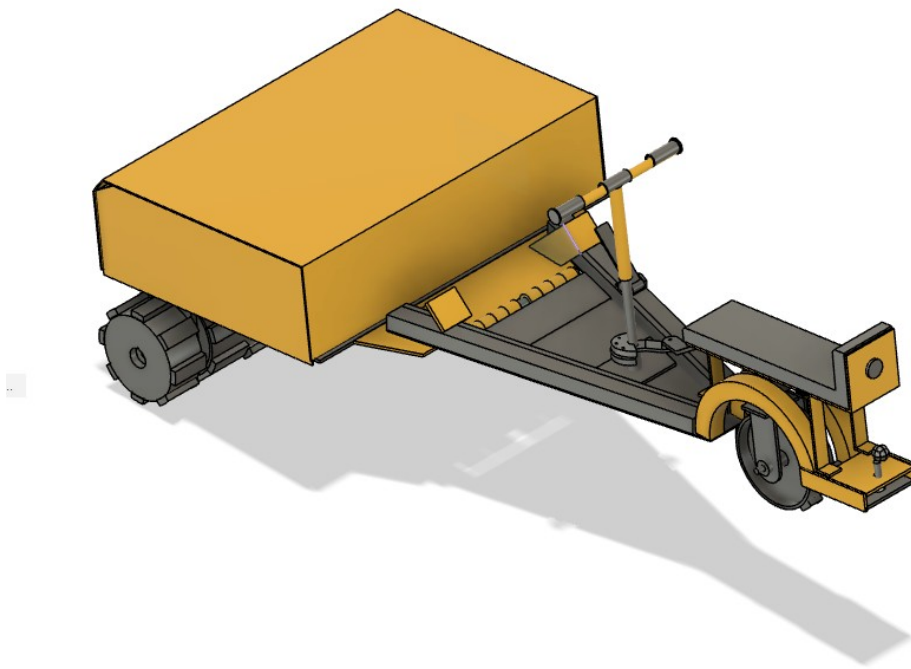


EMINKO EV M10 L

AMAZING ELECTRIC OFFROAD VEHICLE WITH SOLAR PANEL CHARGING



In the development of the fully electric EMINKO EV M10 L, a significant goal has been not only good terrain suitability but also occupational safety and low maintenance. The low center of gravity of the machine makes it more stable and the electrical functions require less service and maintenance than vehicles and equipment powered by internal combustion engines. Batteries can be charged with mains power or solar panels. We can supply the EMINKO EV M10 L with a portable mobile solar charging station.

One portable mobile charging station can be used for more than 1 pc. of the EMINKO EV M10 L.

We have patent applications Nos: 20190058 and 20200041.

Warranty time is 12 months.

Technical details:

-width 1355 mm x height 698 mm x length 2733 mm

-12 kW electric motor

-11 kWh battery

-72 V

-1+1 person

-towbar, 1000 kg trailer, 5000 N for towbar

-work machine

-max. speed 10 km/h

-full battery gives estimated 4 hours working time

-gross weight 420 kg

Prices:

-price 19500 € ExW excl. Vat (plug in 220 V charging connection for mains power or solar panels)

-price 32800 € ExW excl. Vat (with portable mobile solar panel charging station)

We reserve the right to make changes.

Copyright Eminko Oy © 2021. All Rights Reserved.