

EMINKO

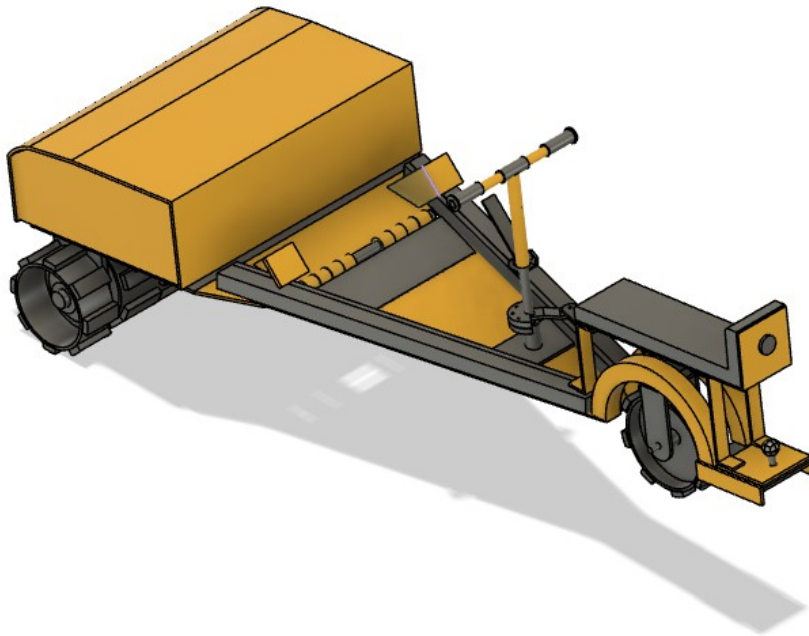
2021-11-22

www.eminko.com

EMINKO EV M10 SERIE

AMAZING ELECTRIC VEHICLES

1.EMINKO EV M10



-width 1090 mm x height 670 mm x length 2650 mm

-10 kW electric motor

-10 kWh battery

-72 V

-1+1 person

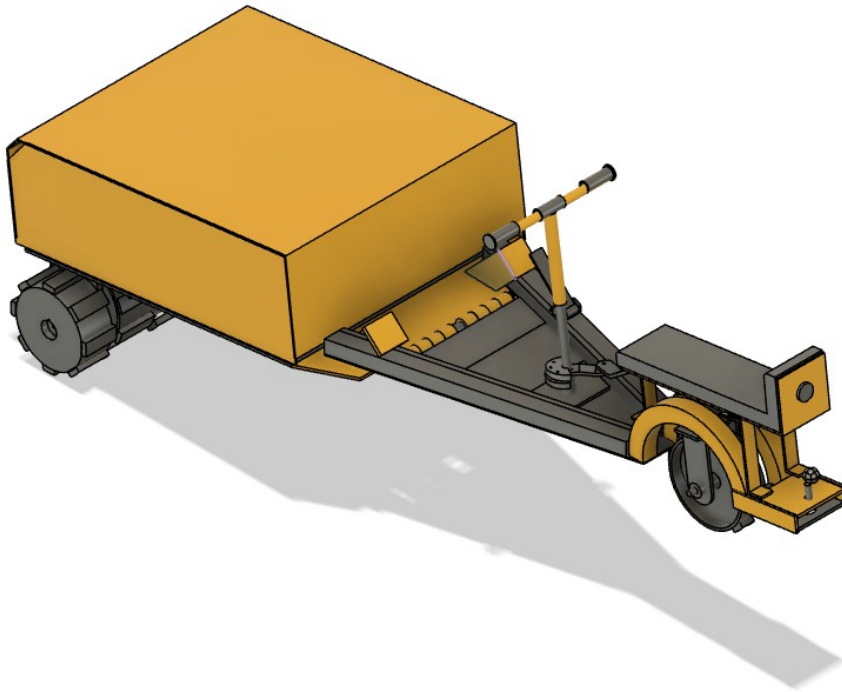
-towbar, 1000 kg trailer, 5000 N for towbar

-full battery gives estimated 4 hours working time

-gross weight 250 kg

-person or remote control or self-propelled

2. EMINKO EV M10 H



-width 1090 mm x height 718 mm x length 2982 mm

-10 kW electric motor

-22 kWh battery

-72 V

-1+1 person

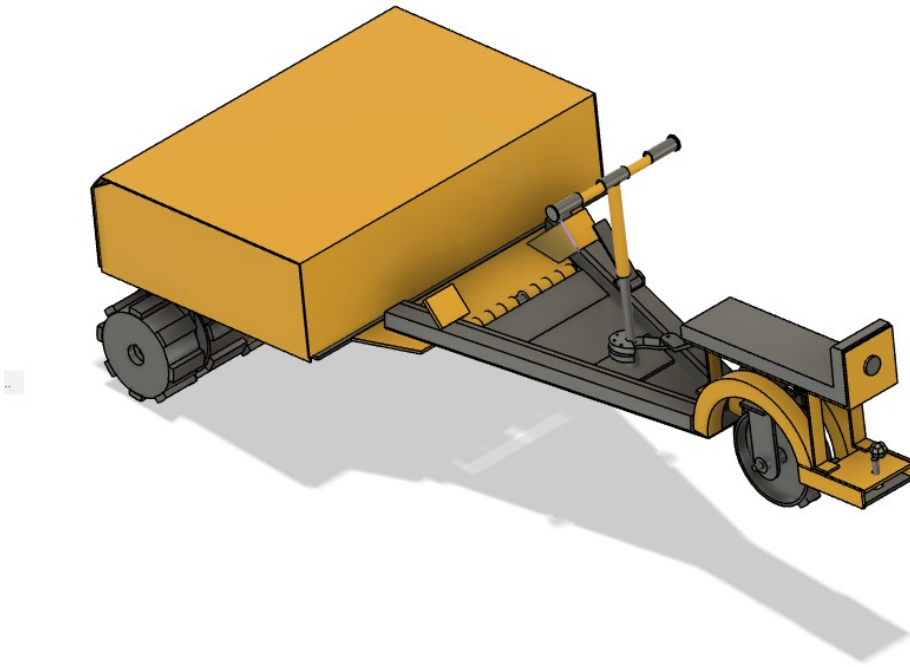
-towbar, 1000 kg trailer, 5000 N for towbar

-full battery gives estimated 8 hours working time

-gross weight 350 kg

-person or remote control or self-propelled

3. EMINKO EV M10 L



-width 1355 mm x height 698 mm x length 2733 mm

-12 kW electric motor

-11 kWh battery

-72 V

-1+1 person

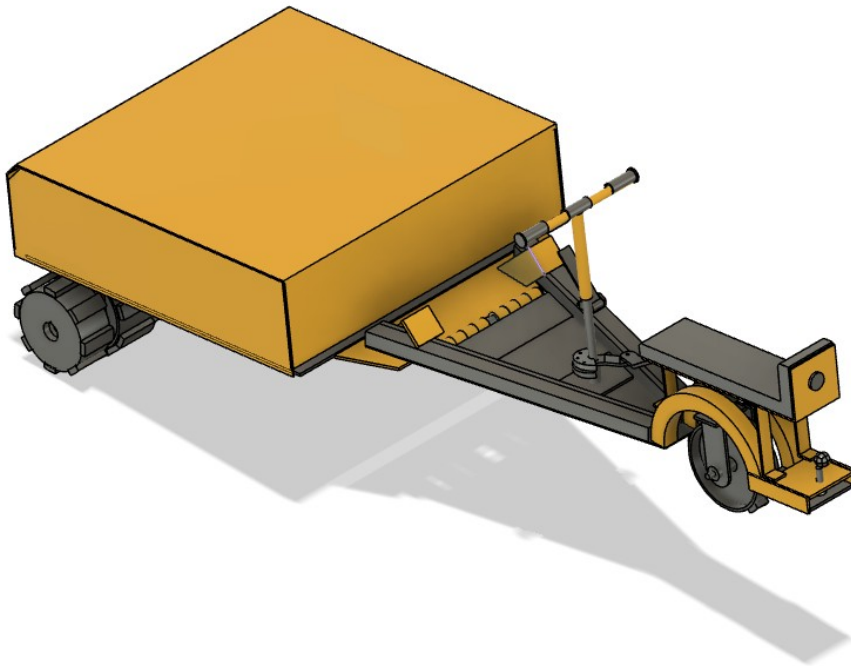
-towbar, 1000 kg trailer, 5000 N for towbar

-full battery gives estimated 4 hours working time

-gross weight 310 kg

-person or remote control or self-propelled

4. EMINKO EV M10 LH



-width 1355 mm x height 698 mm x length 3124 mm

-12 kW electric motor

-22 kWh battery

-72 V

-1+1 person

-towbar, 1000 kg trailer, 5000 N for towbar

-work machine

-max. speed 10 km/h

-full battery gives estimated 8 hours working time

-gross weight 410 kg

-person or remote control or self-propelled

We reserve the right to make changes.

Copyright Eminko Oy © 2020. All Rights Reserved.