

**EMINKO**

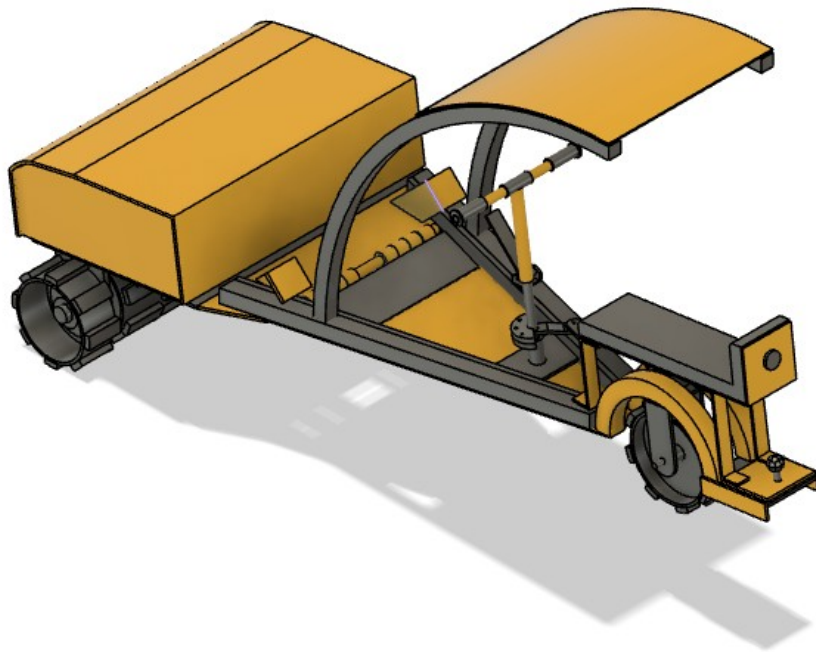
2021-11-22

[www.eminko.com](http://www.eminko.com)

**EMINKO EV M10R SERIE**

**AMAZING ELECTRIC VEHICLES**

## 1.EMINKO EV M10R



-width 1090 mm x height 1470 mm x length 2650 mm

-10 kW electric motor

-10 kWh battery

-72 V

-1+1 person

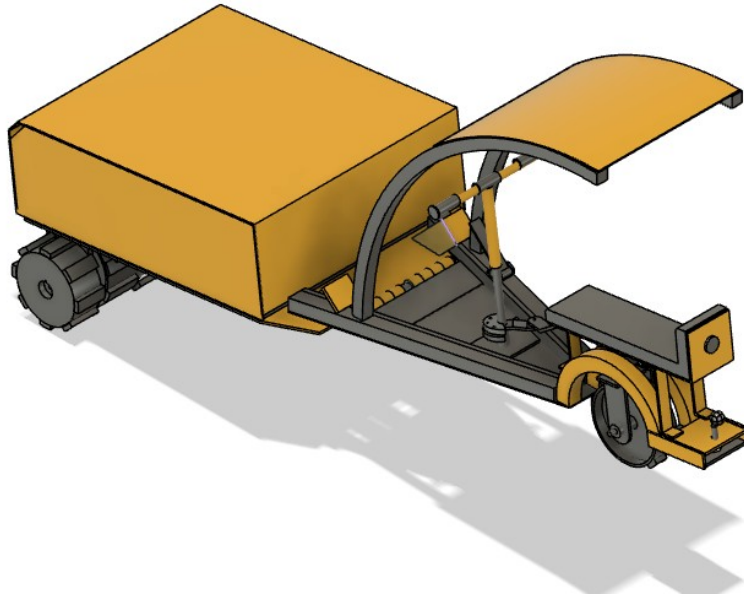
-towbar, 1000 kg trailer, 5000 N for towbar

-full battery gives estimated 4 hours working time

-gross weight 250 kg

-person or remote control or self-propelled

## 2. EMINKO EV M10R H



-width 1090 mm x height 1455 mm x length 2982 mm

-10 kW electric motor

-22 kWh battery

-72 V

-1+1 person

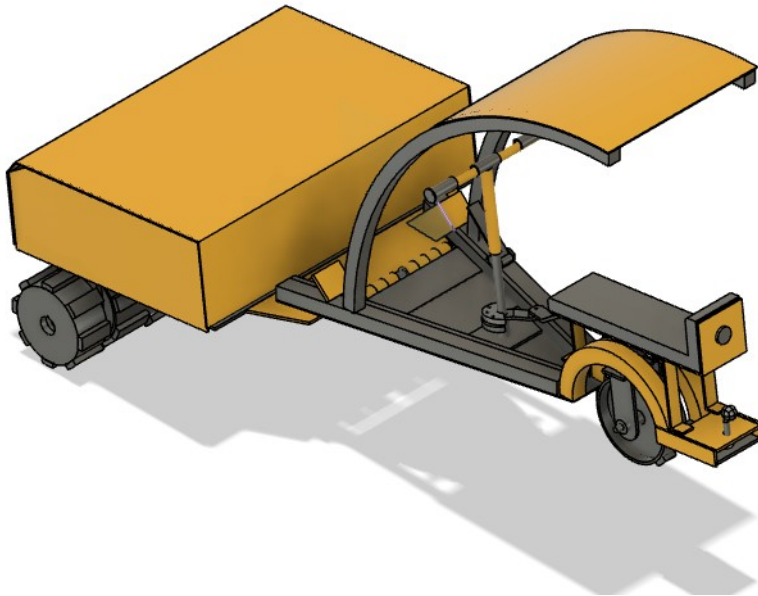
-towbar, 1000 kg trailer, 5000 N for towbar

-full battery gives estimated 8 hours working time

-gross weight 350 kg

-person or remote control or self-propelled

### 3. EMINKO EV M10R L



-width 1355 mm x height 1488 mm x length 2733 mm

-12 kW electric motor

-11 kWh battery

-72 V

-1+1 person

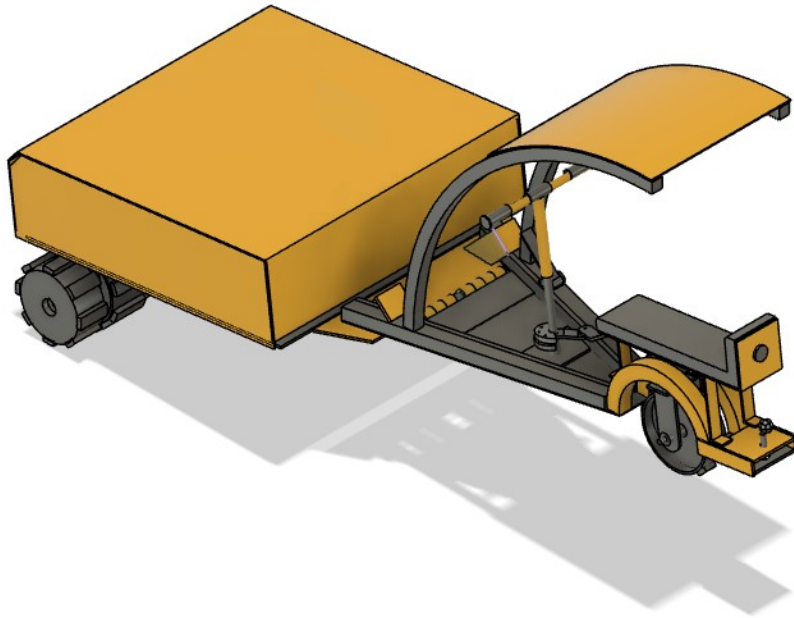
-towbar, 1000 kg trailer, 5000 N for towbar

-full battery gives estimated 4 hours working time

-gross weight 310 kg

-person or remote control or self-propelled

#### 4. EMINKO EV M10R LH



-width 1355 mm x height 1456 mm x length 3124 mm

-12 kW electric motor

-22 kWh battery

-72 V

-1+1 person

-towbar, 1000 kg trailer, 5000 N for towbar

-full battery gives estimated 8 hours working time

-gross weight 410 kg

-person or remote control or self-propelled

We reserve the right to make changes.